

Code : PF1001C, PF2001C

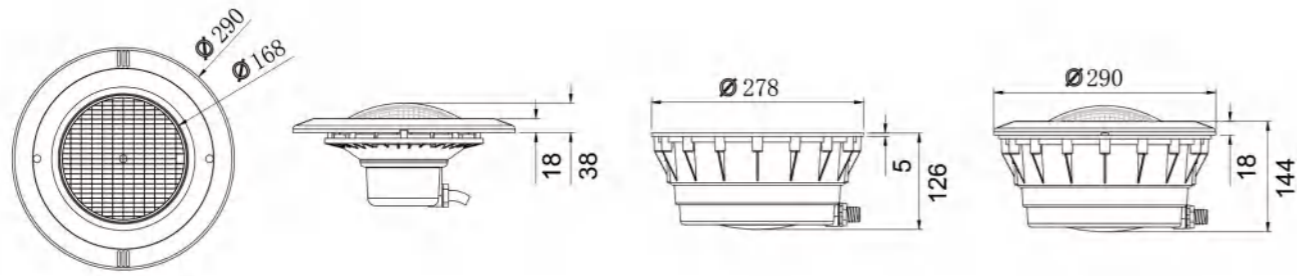
ABS & Stainless Steel - For concrete pool



PF1001C



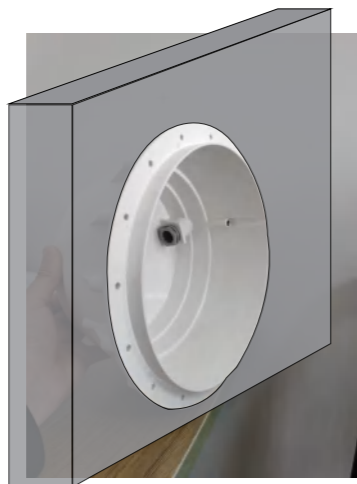
PF2001C



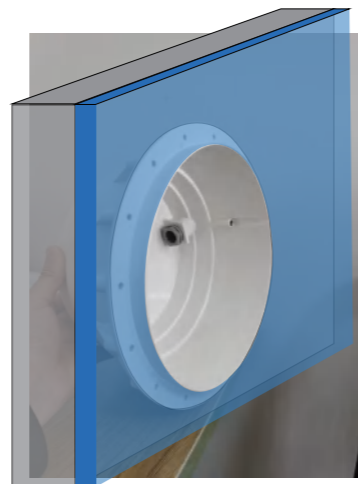
Concrete Pool Installation



The first step is flush with the concrete wall
The second step is flush with the mosaic tile.



Concrete wall



Concrete wall Mosaic tile

Code : PF1001V, PF2001V

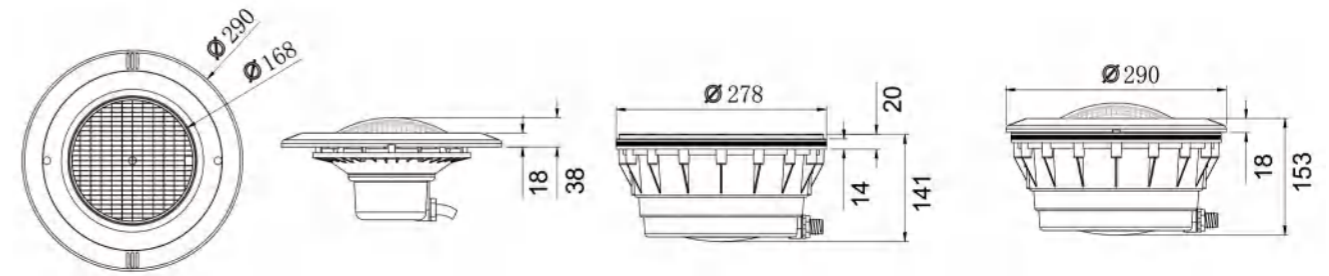
ABS & Stainless Steel - For Liner pool



PF1001V



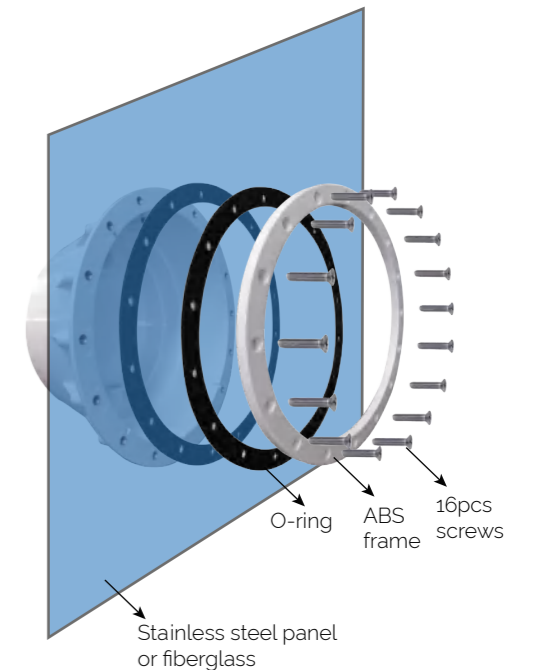
PF2001V



Liner Pool Installation



O-ring



Stainless steel panel or fiberglass

O-ring

ABS frame

16pcs screws

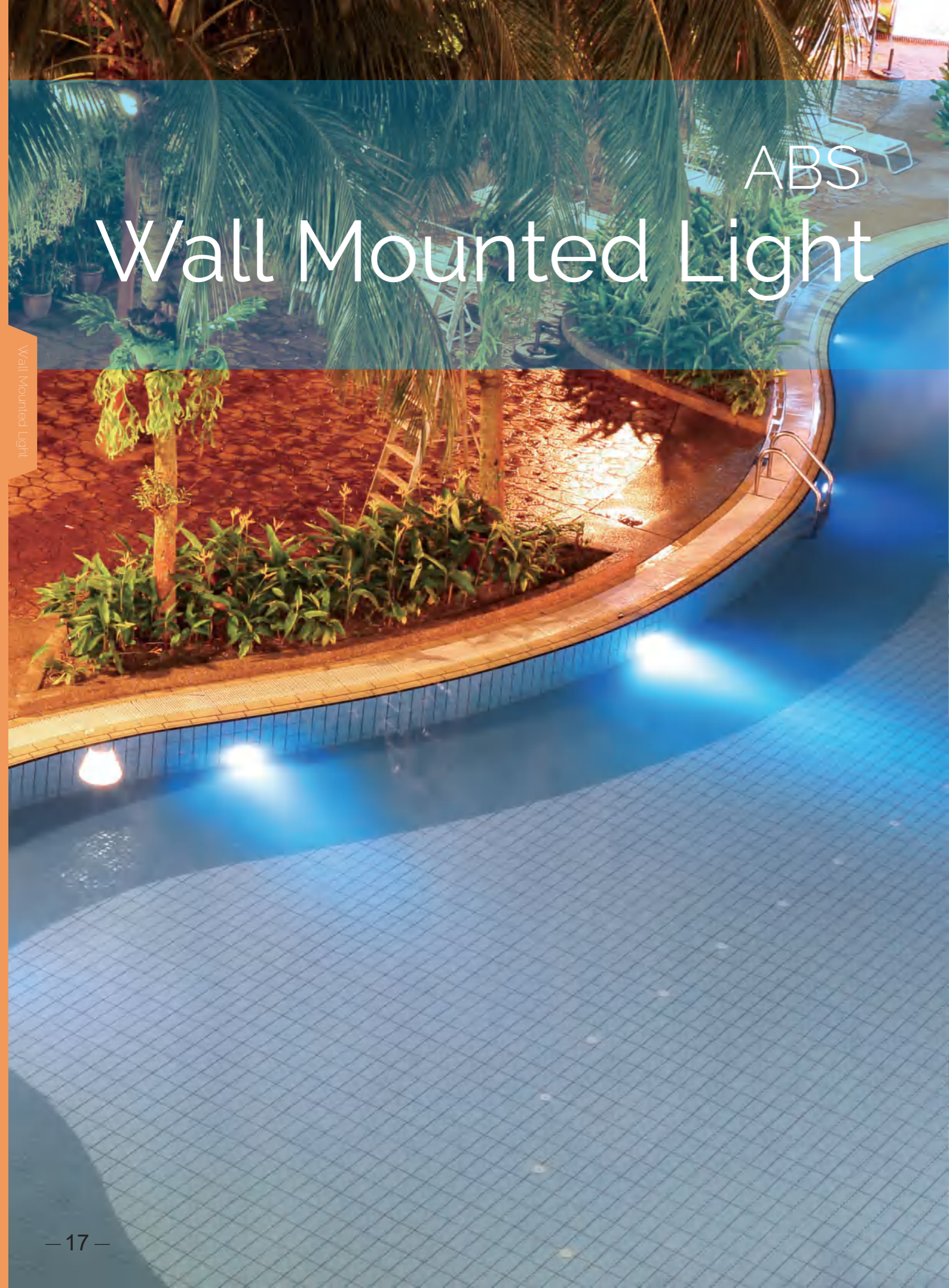


Code : W1103

ABS Unibody + PC cover with small lens

108pcs SMD5050 LED, 25W

ABS Wall Mounted Light



Code	Vol.	Power	Color	Lumens	LED Type	Control
W1103-S108WHT	AC12V	25W	6400K	2750lm	108pcs SMD5050	--
W1103-S108WW	AC12V	25W	3000K	2500lm	108pcs SMD5050	--
W1103-S108RGB	AC12V	25W	RGB	1350lm	108pcs SMD5050	ON/OFF
W1103-S108RGBR15	AC12V	25W	RGB	1350lm	108pcs SMD5050	Remote

- Unibody, **IP68**, no water leaking
- SMD5050 LED, good color mixing
- PC cover with small lens, Soft light
- Suit for different type pools

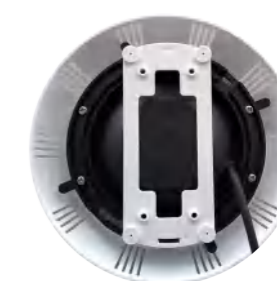


240mm



Code : W1001

Round ABS + PC cover with big lens



Code : W1101

Round ABS + PC cover with small lens

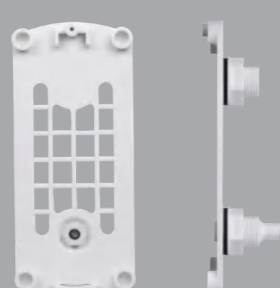


BRT001



For Concrete Pool

BRT002



For Liner Pool
For Fiberglass Pool

BRT004



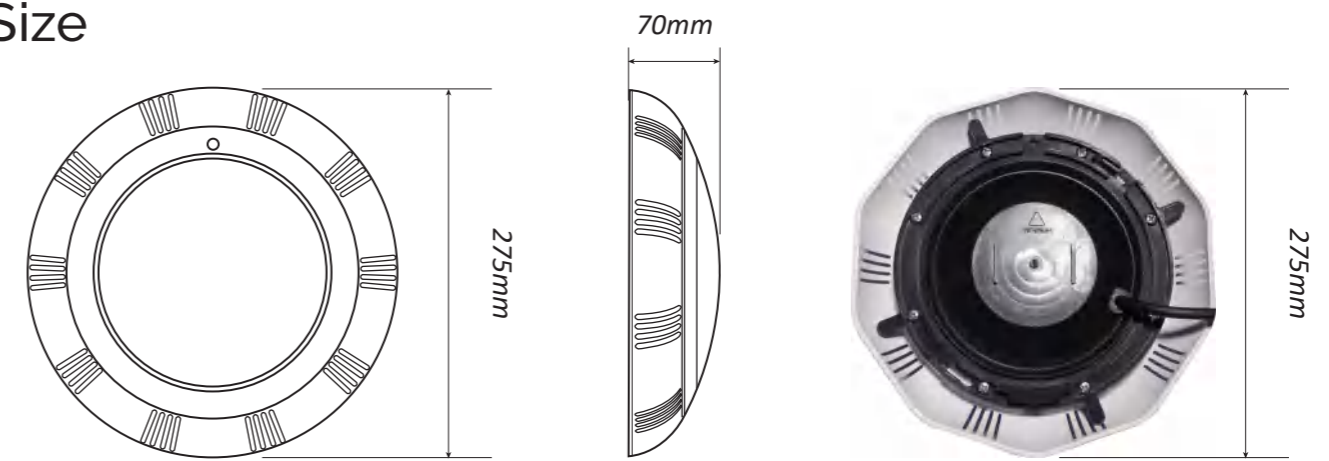
For Concrete + Liner Pool

Code : W1002

Decagon ABS + PC cover with big lens



Size



For Concrete Pool



For Liner Pool
For Fiberglass Pool



R15 Controller

Code : W1102

Decagon ABS + PC cover with small lens



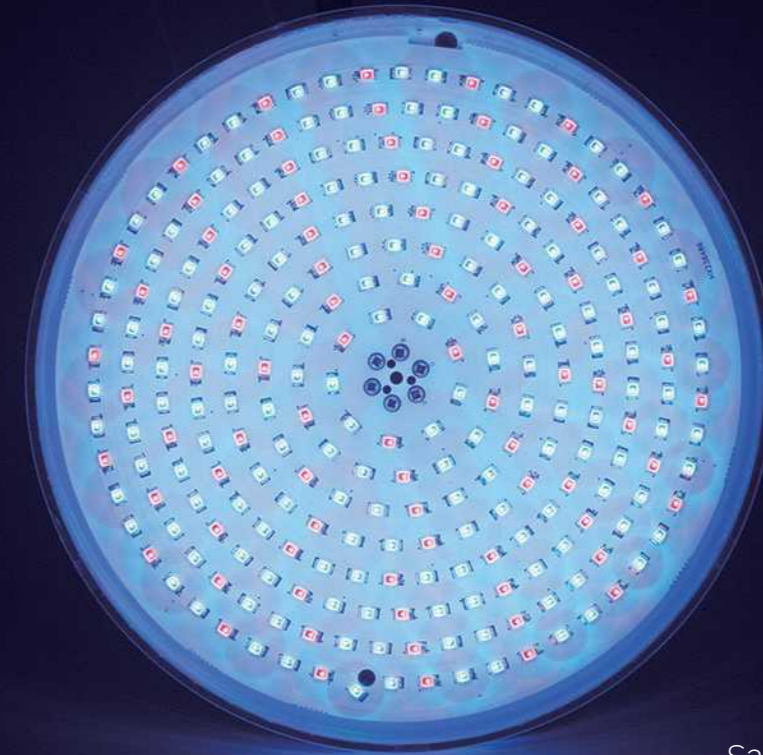
Specification

Code	Vol.	Power	Color	Lumens	LED Type	Control
W1001	-S180WHT	AC12V	12W	6400K	1320lm	180pcs SMD2835 --
	-S252WHT	AC12V	18W	6400K	1980lm	252pcs SMD2835 --
	-S351WHT	AC12V	25W	6400K	2750lm	351pcs SMD2835 --
W1101	-S150WHT	AC12V	35W	6400K	3850lm	150pcs SMD5050 --
	-S180WW	AC12V	12W	3000K	1200lm	180pcs SMD2835 --
W1002	-S252WW	AC12V	18W	3000K	1800lm	252pcs SMD2835 --
	-S351WW	AC12V	25W	3000K	2500lm	351pcs SMD2835 --
	-S150WW	AC12V	35W	3000K	3500lm	150pcs SMD5050 --
W1102	-S180RGB(R15)	AC12V	12W	RGB	660lm	180pcs SMD2835 ON/OFF & Remote
	-S252RGB(R15)	AC12V	18W	RGB	990lm	252pcs SMD2835 ON/OFF & Remote
	-S351RGB(R15)	AC12V	25W	RGB	1350lm	351pcs SMD2835 ON/OFF & Remote
	-S150RGB(R15)	AC12V	35W	RGB	1950lm	150pcs SMD5050 ON/OFF & Remote

Epoxy Resin LED Panel

Replace PAR56 & Wall mounted

Code : Epoxy Resin LED panel



S252RGB Panel, 18W, RGB



6400K



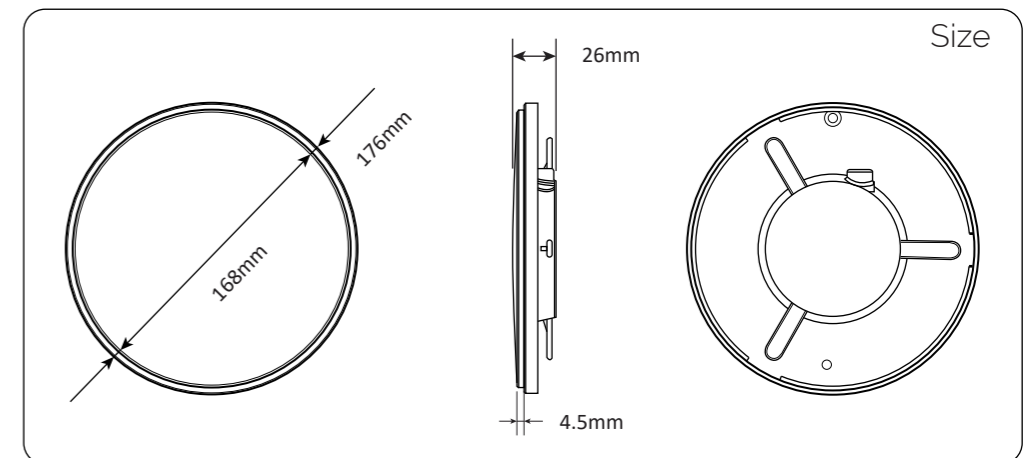
3000K



RGBW



Accessory





S252WW Panel,
18W, Warm white 3000K



S252WHT Panel,
18W, Cool white 6400K

Specification

Code	Vol.	Power	Color	Lumens	LED Type	Control
S252WHT Panel	AC12V	18W	6400K	1980lm	252pcs SMD2835	--
S351WHT Panel	AC12V	25W	6400K	2750lm	351pcs SMD2835	--
S441WHT Panel	AC12V	32W	6400K	3520lm	441pcs SMD2835	--
S513WHT Panel	AC12V	40W	6400K	4400lm	513pcs SMD2835	--
S252WW Panel	AC12V	18W	3000K	1800lm	252pcs SMD2835	--
S351WW Panel	AC12V	25W	3000K	2500lm	351pcs SMD2835	--
S441WW Panel	AC12V	32W	3000K	3200lm	441pcs SMD2835	--
S513WW Panel	AC12V	40W	3000K	4000lm	513pcs SMD2835	--
S252RGB(R15) Panel	AC12V	18W	RGB	990lm	252pcs SMD2835	ON/OFF & Remote
S351RGB(R15) Panel	AC12V	25W	RGB	1370lm	351pcs SMD2835	ON/OFF & Remote
S441RGB(R15) Panel	AC12V	32W	RGB	1760lm	441pcs SMD2835	ON/OFF & Remote
S513RGB(R15) Panel	AC12V	40W	RGB	2200lm	513pcs SMD2835	ON/OFF & Remote
S180RGBW Panel	DC12V	40W	RGBW	2300lm	180pcs SMD5050	5 Wires

How to replace PAR56 (A)



Remove the lamp holder, put the epoxy LED panel in the frame.
Fix the screws and adjust the bolts to lock the panel.

How to replace PAR56 (B) Hayward Niche



Remove the lamp holder, put the epoxy LED panel in the frame.
Fix the screws and SS clips, adjust the bolts to lock the panel.

How to replace PAR56 (C)

Astral Niche



Put the epoxy LED panel in the frame, add the 3pcs ABS clips..



Put the lamp holder and Astral clips on the panel.



Fasten the clips with 3pcs copper screws.



This Epoxy LED panel can be installed in all brands niche.

Such as Astral , Hayward

Code : W6002

Global Adapter

ABS Frame 290mm

INNOVATION
Product

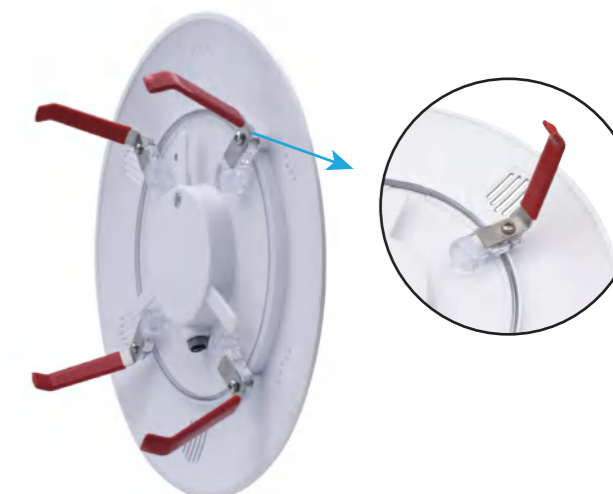


Suitable for Pentair/Hayward/Astral Niche and all other Niches

Totally solve the leaking problem from Niche lights.
Do it easy by end user, no needing professional worker.



W6002-ABS

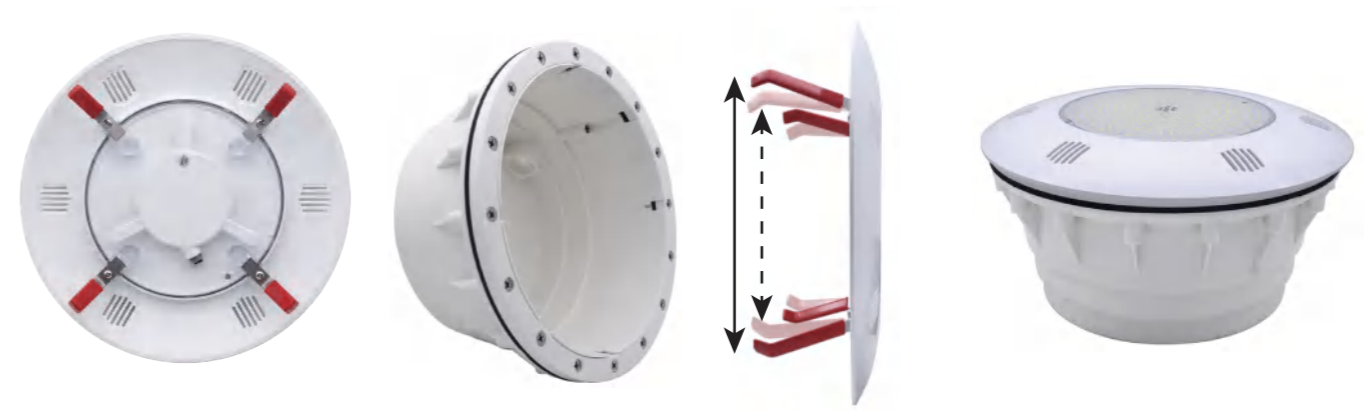
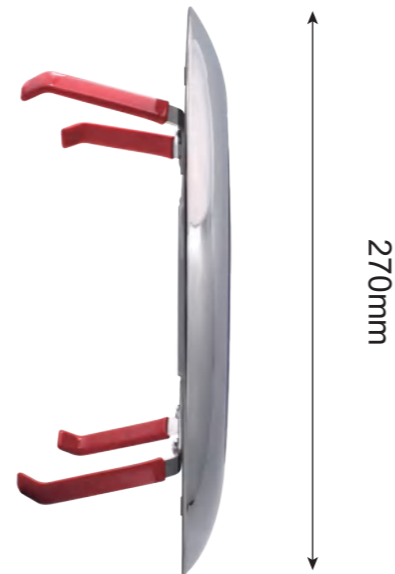


Code : W4008

Global Adapter

Stainless Steel 316L Frame 270mm

INNOVATION
Product



No Needing screws , adjusting the SS316L Fixing Brackets.
Pushing the Global Adapter into the Niche



Accessory

Suitable for Pentair/Hayward/Astral Niche
and all other Niches



W4008-SS316L



Specification

Code	Vol.	Power	Color	Lumens	LED Type	Control	
W4008	-S252WHT	AC12V	18W	6400K	1980lm	252pcs SMD2835	--
	-S351WHT	AC12V	25W	6400K	2750lm	351pcs SMD2835	--
	-S441WHT	AC12V	32W	6400K	3520lm	441pcs SMD2835	--
	-S513WHT	AC12V	40W	6400K	4400lm	513pcs SMD2835	--
	-S252WW	AC12V	18W	3000K	1800lm	252pcs SMD2835	--
W6002	-S351WW	AC12V	25W	3000K	2500lm	351pcs SMD2835	--
	-S441WW	AC12V	32W	3000K	3200lm	441pcs SMD2835	--
	-S513WW	AC12V	40W	3000K	4000lm	513pcs SMD2835	--
	-S252RGB(R15)	AC12V	18W	RGB	990lm	252pcs SMD2835	ON/OFF & Remote
	-S351RGB(R15)	AC12V	25W	RGB	1370lm	351pcs SMD2835	ON/OFF & Remote
-S441RGB(R15)	AC12V	32W	RGB	1760lm	441pcs SMD2835	ON/OFF & Remote	
-S513RGB(R15)	AC12V	40W	RGB	2200lm	513pcs SMD2835	ON/OFF & Remote	

Control Systems
PARPO - Fixture
Wall Mounted Light
15 / 20 inch Light
Mini Pool Light
SS Underwater Light
Fountain Light
Accessories

Epoxy Resin Wall Mounted Lights

LED Panel + Frames

INNOVATION
Product



Wall Mounted Light

Control Systems

PAPR® Fixture

Wall Mounted Light

15 / 20 inch Light

Mini Pool Light

SS Underwater Light

Fountain Light

Accessories

Code : W2001

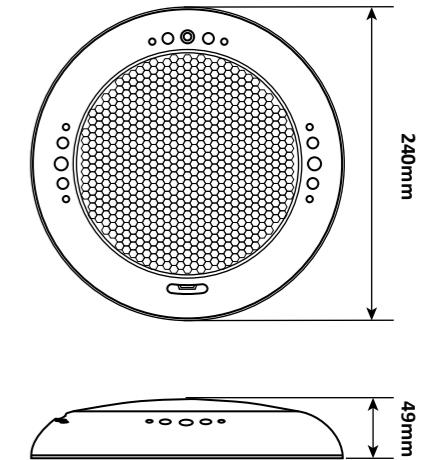
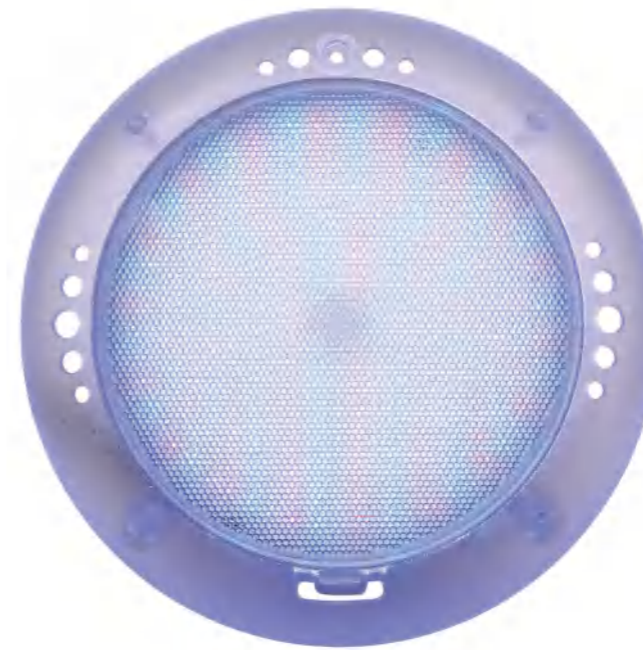
Frosted Transparent PC with big lens



W2001-S252WHT

AC12V, 18W, Cool white 6400K

252cs SMD2835 LED



Bracket BRT001, BRT002, BRT004

Suit for concrete / liner / fiberglass / stainless steel pool



W2001-S441RGB

AC12V, 32W, RGB
441pcs SMD2835 LED
ON/OFF Control



Specification

Code	Vol.	Power	Color	Lumens	LED Type	Control
W2001-S252WHT	AC12V	18W	6400K	1980lm	252pcs SMD2835	--
W2001-S351WHT	AC12V	25W	6400K	2750lm	351pcs SMD2835	--
W2001-S441WHT	AC12V	32W	6400K	3520lm	441pcs SMD2835	--
W2001-S513WHT	AC12V	40W	6400K	4400lm	513pcs SMD2835	--
W2001-S252WW	AC12V	18W	3000K	1800lm	252pcs SMD2835	--
W2001-S351WW	AC12V	25W	3000K	2500lm	351pcs SMD2835	--
W2001-S441WW	AC12V	32W	3000K	3200lm	441pcs SMD2835	--
W2001-S513WW	AC12V	40W	3000K	4000lm	513pcs SMD2835	--
W2001-S252RGB(R15)	AC12V	18W	RGB	990lm	252pcs SMD2835	ON/OFF & Remote
W2001-S351RGB(R15)	AC12V	25W	RGB	1370lm	351pcs SMD2835	ON/OFF & Remote
W2001-S441RGB(R15)	AC12V	32W	RGB	1760lm	441pcs SMD2835	ON/OFF & Remote
W2001-S513RGB(R15)	AC12V	40W	RGB	2200lm	513pcs SMD2835	ON/OFF & Remote